

KLIMA AGING SYSTEM

Patented

Dry aging refrigerator

DATA SHEET 900

Length (mm): 920
 Depth (mm): 725
 Height (mm): 2115
 Pallet size (mm): 990x800x2030

KAS900PV

Net weight (kg): 191
 Packed unit weight (kg): 210

KAS900PC

Net weight (kg): 166
 Packed unit weight (kg): 185

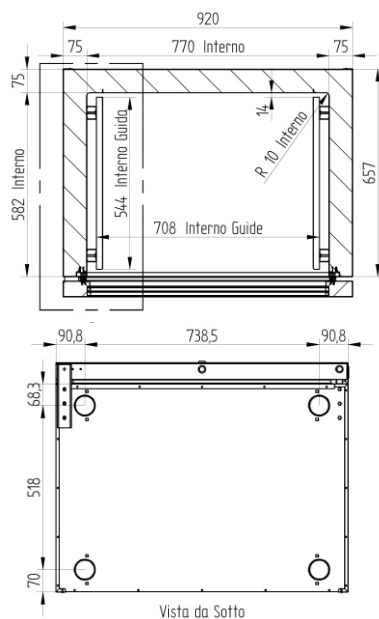
Litres capacity: 800 LT
 Electrical power: 1,0 kW
 Electrical connection: 230V - 50-60 Hz

Models:

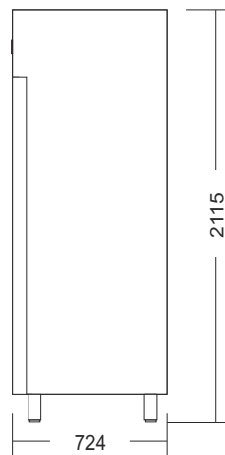
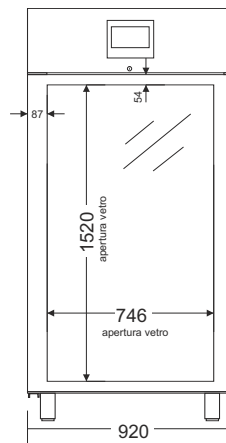
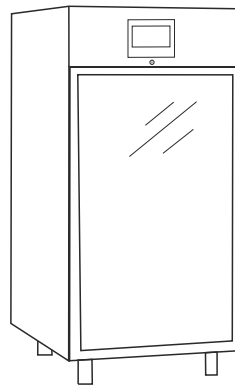
- **KAS900PV** - 1 glass door
- **KAS900PC** - 1 inox door

Accessories included depending on the specific kit chosen

- **SALUMI KIT**
 3 frames for hanging salami
 3 stainless steel pairs of rails
- **CHEESE KIT**
 4 stainless steel pairs of rails
 4 evaporated wooden planks



KAS900PV



KAS900PC

